



Available for powdery and flaky material, such as flour and bran  
Easy-cleaning structure to wipe off Fe particles conveniently and efficiently.

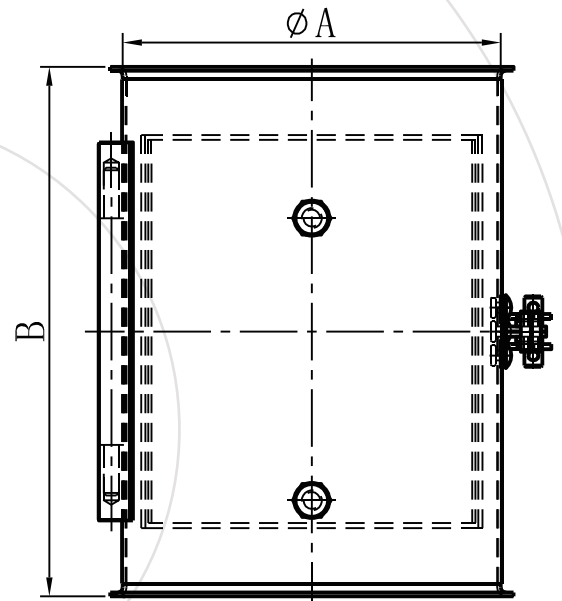
适用于粉状和片状（面粉和麸皮）物料。  
自洁式结构，清理铁杂质方便快捷。

**Technical data 技术参数**

Magnetic performance: 9'000Gs-12'000Gs  
Materials of housing and other parts: 304 stainless steel/316 stainless steel  
Surface finish: Sand blasting/Powder painting

磁性强度：9'000Gs-12'000Gs  
壳体及其他部件材质：304不锈钢/316不锈钢  
表面处理：喷砂 / 喷塑

**PATENTED PRODUCT**  
**专利产品 ZL 2011 1 0319437.8**



Model No. 产品型号	Inlet 进料口尺寸	Height 高度
	$\Phi A$ mm	B mm
SCXL1515	150	210
SCXL1818	180	210
SCXL2020	200	210



# Cylinder Magnetic Separator 筒式磁选器

Available for powdery and flaky material, such as flour and bran  
 Easy-cleaning structure to wipe off Fe particles conveniently and efficiently  
 Available for positive pressure conveying  
 此型磁选器适用于粉状和片状（面粉和麸皮等）物料。  
 自洁式结构，清理铁杂质方便快捷。  
 可用于正压输送环境。

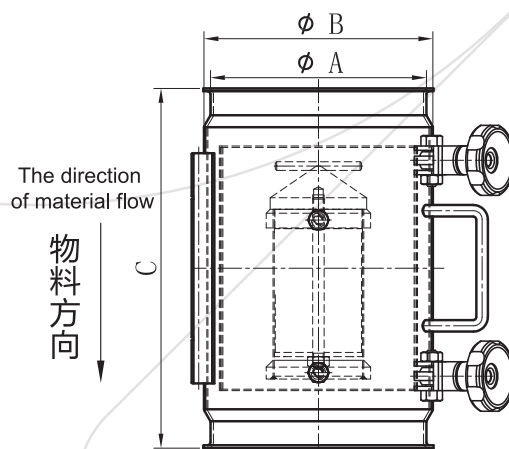
## Technical data 技术参数

Magnetic performance: 10'000Gs  
 Materials of housing and other parts: 304 stainless steel/316 stainless steel  
 Surface finish: Sand blasting/Powder painting

磁性强度：10'000Gs  
 壳体及其他部件材质：304不锈钢/316不锈钢  
 表面处理：喷砂 / 喷塑

## Positive pressure conveying 正压输送

Model No. 产品型号	Capacity(t/h) 流量	Inlet 进料口尺寸		Dimension 尺寸	
		Φ A mm	Φ B mm	C mm	
SCXL1516H	11	150	150	210	
SCXL1818H	16	180	180	210	
SCXL2020H	20	200	200	210	





Available for powdery and flaky material, such as flour and bran  
 Easy-cleaning structure to wipe off Fe particles conveniently and efficiently  
 Available for negative pressure conveying  
 此型磁选器适用于粉状和片状（面粉和麸皮等）物料。  
 自洁式结构，清理铁杂质方便快捷。  
 可用于负压输送环境。

**Technical data 技术参数**

Magnetic performance: 10'000Gs  
 Materials of housing and other parts: 304 stainless steel/316 stainless steel  
 Surface finish: Sand blasting/Powder painting

磁性强度：10'000Gs  
 壳体及其他部件材质：304不锈钢/316不锈钢  
 表面处理：喷砂 / 喷塑

**Negative pressure conveying 负压输送**

Model No. 产品型号	Capacity(t/h) 流量	Inlet 进料口尺寸		Dimension 尺寸	
		Φ A mm	Φ B mm	C mm	
SCXL1516G	11	150	150	210	
SCXL1818G	16	180	180	210	
SCXL2020G	20	200	200	210	

