

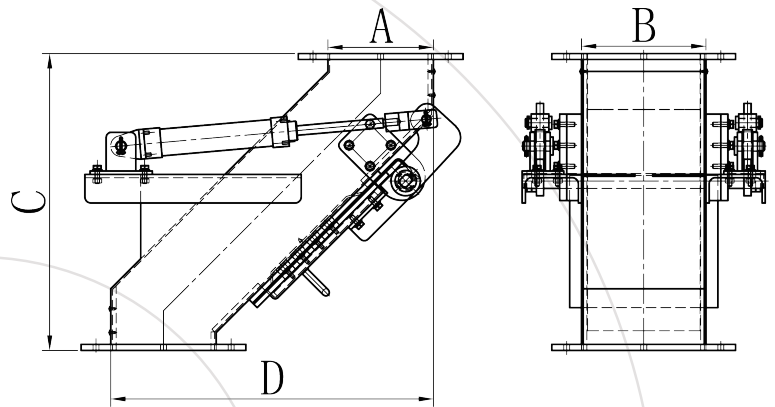


**Pneumatic version 气动半驼峰型**

**Benefits 产品优点**

Adding air cylinder basing on standard version. The cleaning process is controlled by manual reversing valve or electromagnetic reversing valve. It is a convenient way to save labour.

在标准系列基础上增加气动设计，直接通过手动换向阀或电磁换向阀进行清理操作，更便捷省力。



Model No. 产品型号	Inlet 进料口尺寸	Outline Dimension 外轮廓尺寸
	AXBmm	CXDmm
SCXTQ-120Z	150X120	940X486
SCXTQ-150Z	178X150	940X514
SCXTQ-200Z	178X200	1000X544
SCXTQ-250Z	178X250	1000X544
SCXTQ-300Z	178X300	1000X544
SCXTQ-350Z	200X350	1050X591
SCXTQ-400Z	200X400	1050X591
SCXTQ-450Z	200X450	1050X591
SCXTQ-500Z	200X500	1050X591

